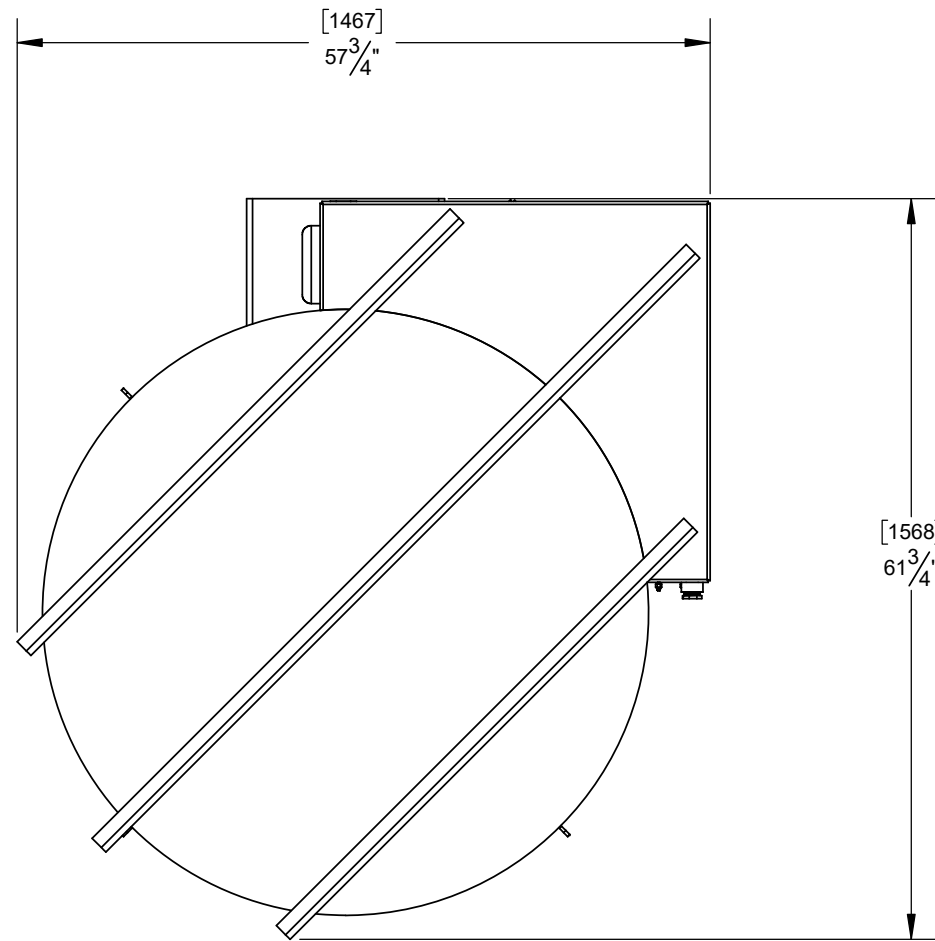
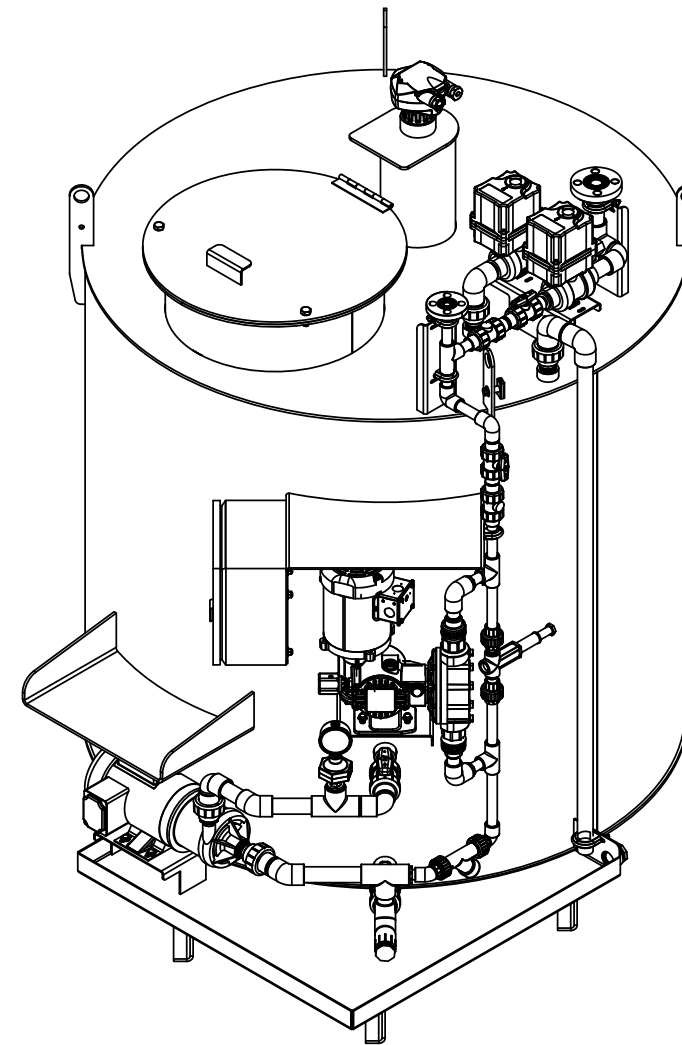


8 7 6 5 4 3 2 1

D
C
B
A



VIEW FROM BOTTOM OF MODULE



D
C
B
A

8 7 6 5 4 3 2 1

PROJECT:		20010		 <p>SCINCO/FAST 200 SUN VALLEY CIRCLE FENTON, MO 63026</p>	TITLE:		GENERAL ARRANGEMENT DC1500 DECHLORINATION MODULE	
	INIT.	DATE			SIZE:	DWG. NO.	REV	
DRAWN:	MTW	11/18/20	APPROVED:		KDH	11/18/20	B	GA20010-000
THIS DRAWING AND ALL DATA CONTAINED HEREIN ARE THE EXCLUSIVE PROPERTY OF SCINCO/FAST OF ST. LOUIS, MO AND MAY NOT BE DISCLOSED TO OTHERS WITHOUT WRITTEN CONSENT.					SCALE: 1:16	DO NOT SCALE DRAWING	Sheet 2 Of 2	