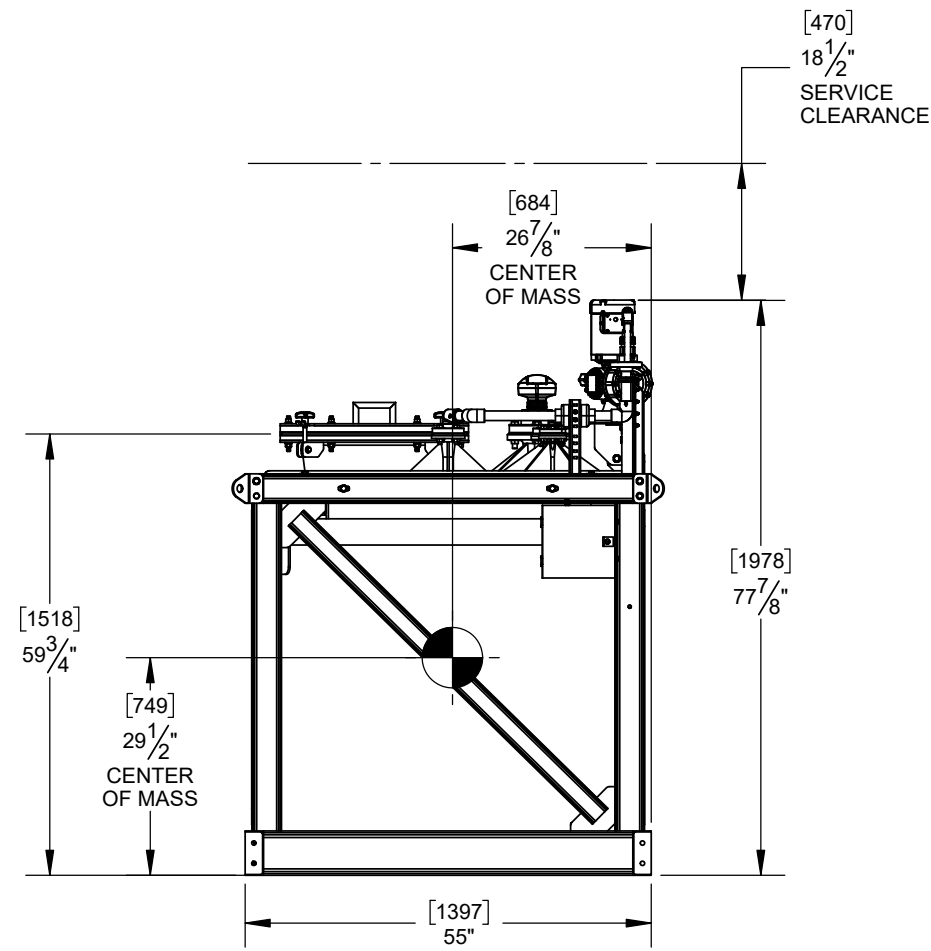
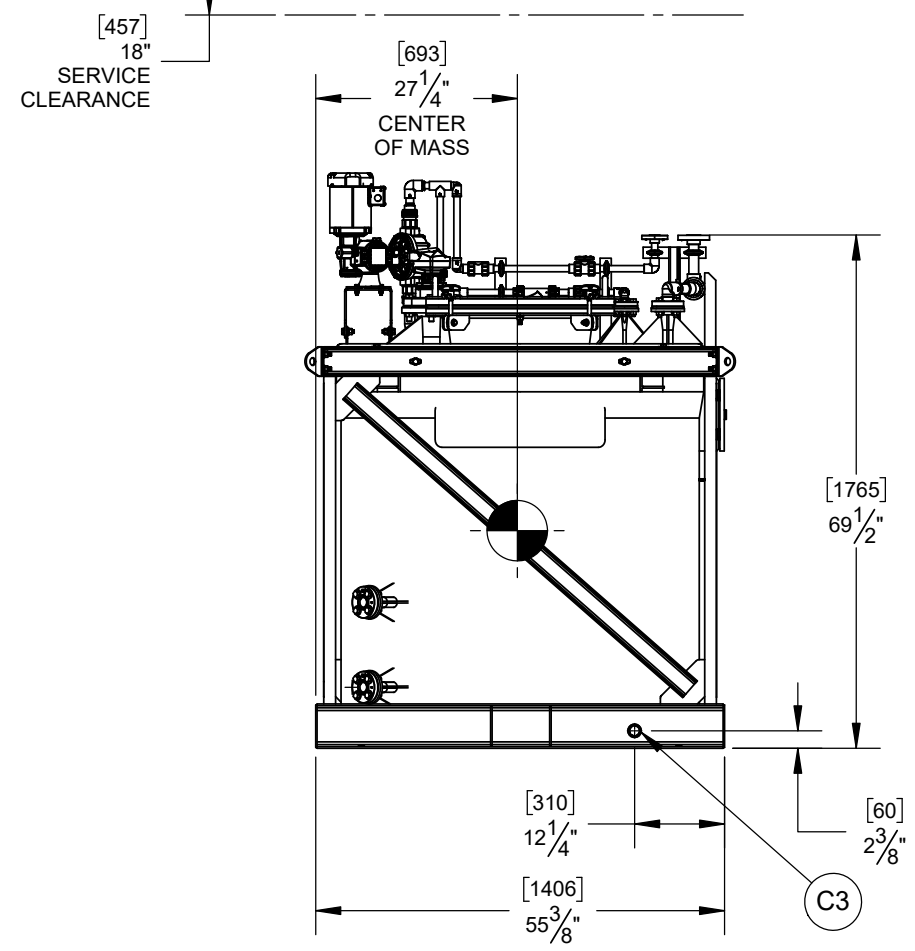
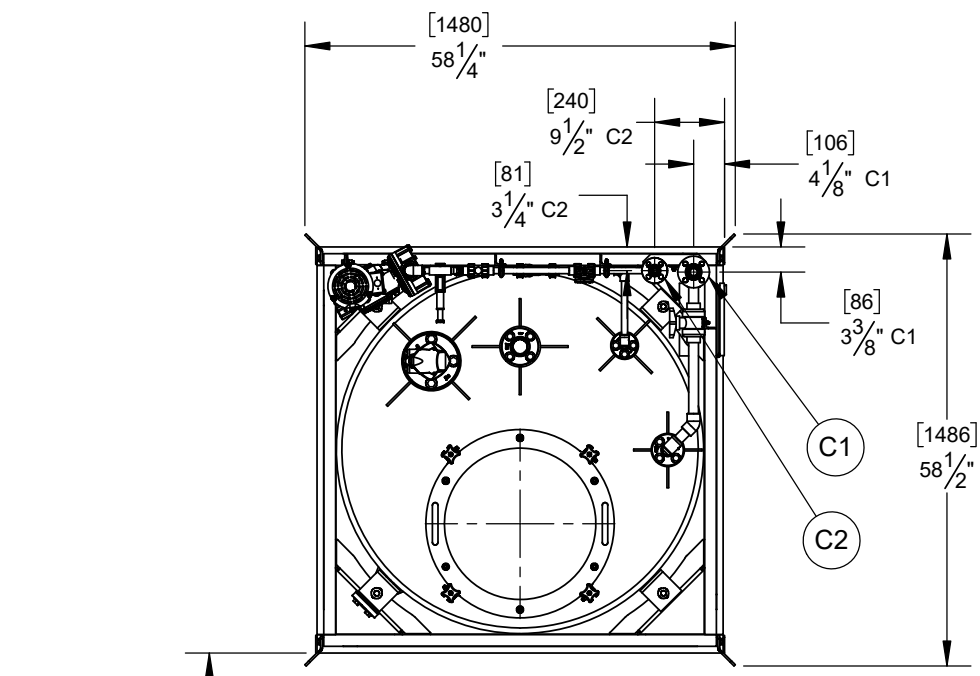


8 7 6 5 4 3 2 1

REVISIONS			
REV.	DESCRIPTION	DATE	INIT.
A	INITIAL RELEASE	6/15/21	MTW


D  
C  
B  
A



BC DATA	BC1500
PUMP CAPACITY, LPH	37-371
OPERATING VOLUME, L	1500
DRY WEIGHT, LBS (KG)	1179 (535)
OPERATING WEIGHT, LBS (KG)	5152 (2337)
LENGTH, IN (mm)	58.25 (1480)
DEPTH, IN (mm)	55 (1397)
HEIGHT, IN (mm)	77.75 (1975)

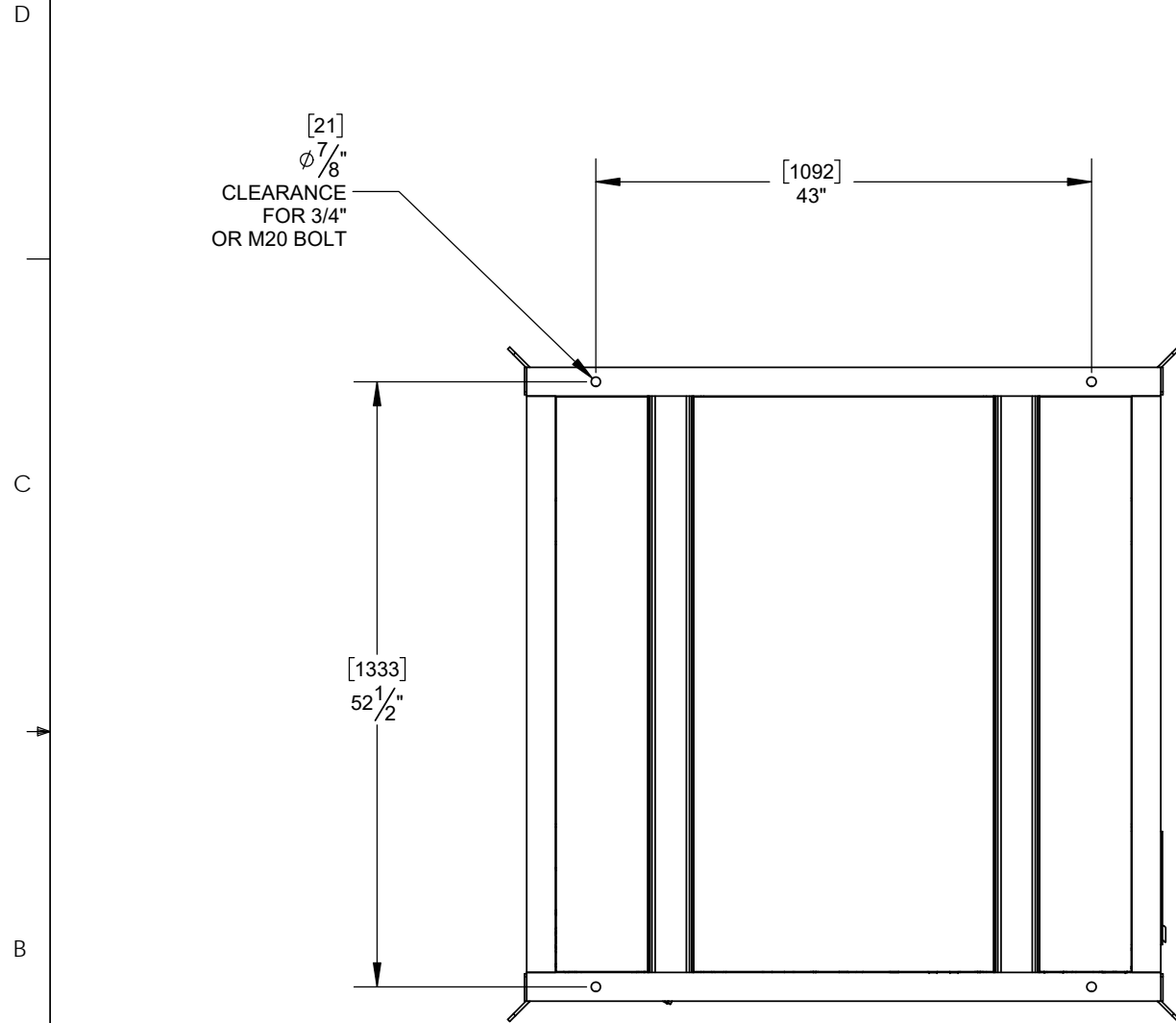
ID	CONNECTION	TYPE	SIZE
C1	WATER INLET	FLANGE	1 NPS
C2	DC OUTLET	FLANGE	.5 NPS
C3	SKIDDRAIN	FLANGE	1 NPS

ALL FLANGES ARE ANSI B16.5, CLASS 150

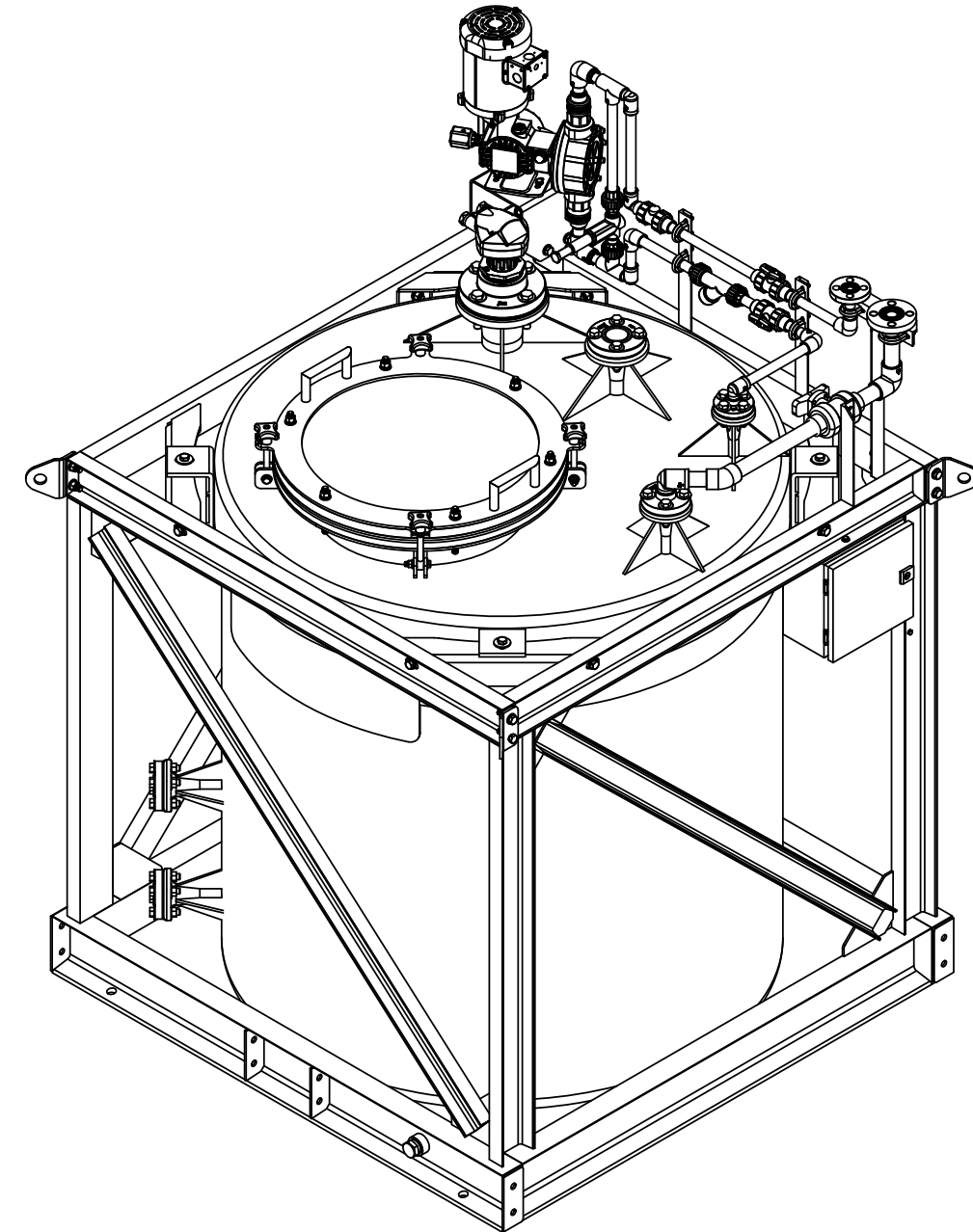
PROJECT:	21004		TITLE:	GENERAL ARRANGEMENT BC1500 BULK CHEM. MODULE	
DRAWN:	MTW 2/8/21		SCINCO/FAST 12977 MAURER INDUSTRIAL DR. SUNSET HILLS (ST. LOUIS), MO 63127-1515	SIZE:	B
APPROVED:	KDH 2/8/21		DWG. NO.:	GA21004-000	
THIS DRAWING AND ALL DATA CONTAINED HEREIN ARE THE EXCLUSIVE PROPERTY OF SCINCO/FAST OF ST. LOUIS, MO AND MAY NOT BE DISCLOSED TO OTHERS WITHOUT WRITTEN CONSENT.			SCALE:	1:26	Sheet 1 Of 2

8 7 6 5 4 3 2 1


8 7 6 5 4 3 2 1



VIEW FROM BOTTOM OF MODULE



A

PROJECT:		21004			TITLE:		GENERAL ARRANGEMENT BC1500 BULK CHEM. MODULE	
	INIT.	DATE			SIZE:	DWG. NO.	REV	
DRAWN:	MTW	2/8/21			B	GA21004-000	A	
APPROVED:	KDH	2/8/21	SCINCO/FAST 12977 MAURER INDUSTRIAL DR. SUNSET HILLS (ST. LOUIS), MO 63127-1515		SCALE: 1:16	DO NOT SCALE DRAWING	Sheet 2 Of 2	
THIS DRAWING AND ALL DATA CONTAINED HEREIN ARE THE EXCLUSIVE PROPERTY OF SCINCO/FAST OF ST. LOUIS, MO AND MAY NOT BE DISCLOSED TO OTHERS WITHOUT WRITTEN CONSENT.								

8 7 6 5 4 3 2 1