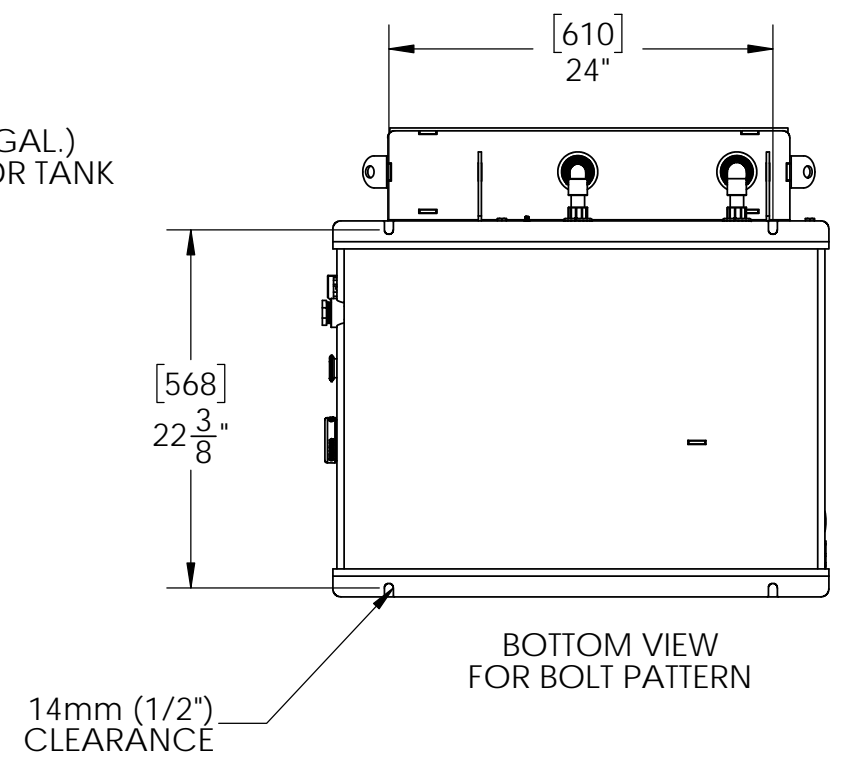
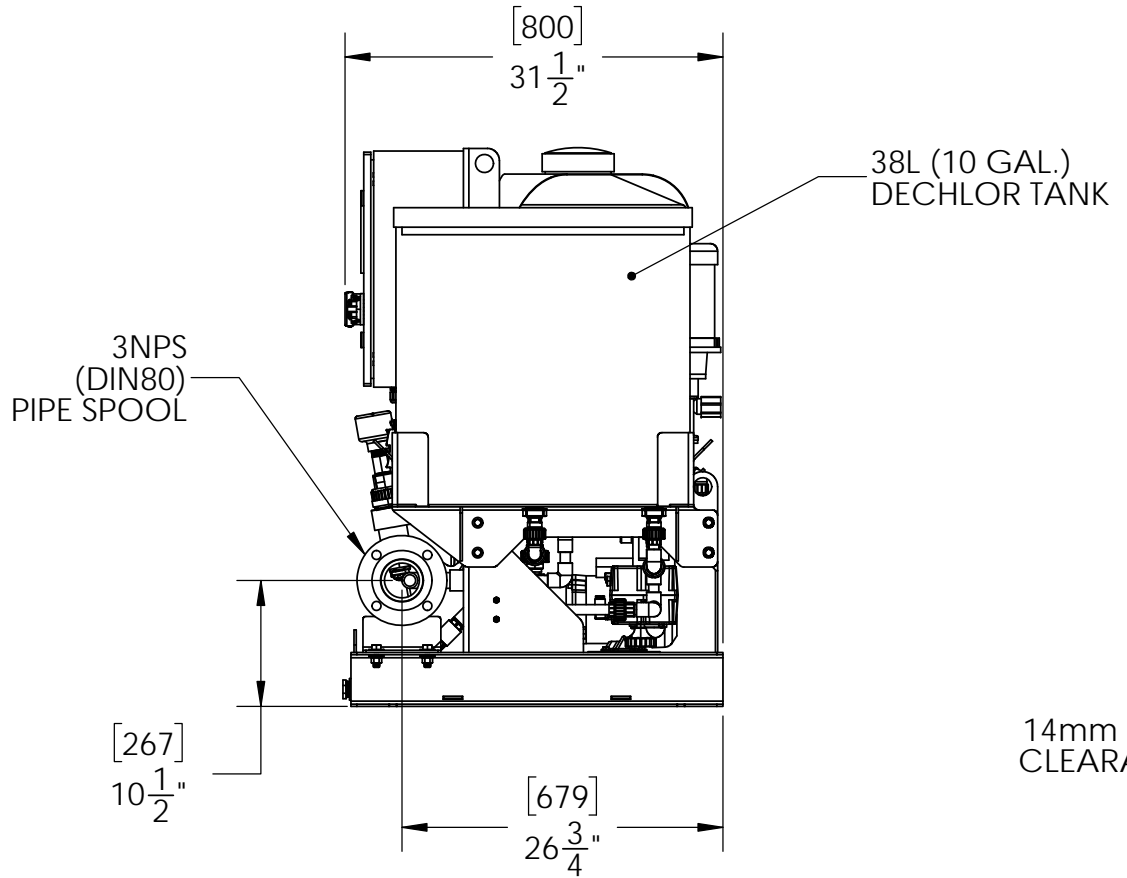
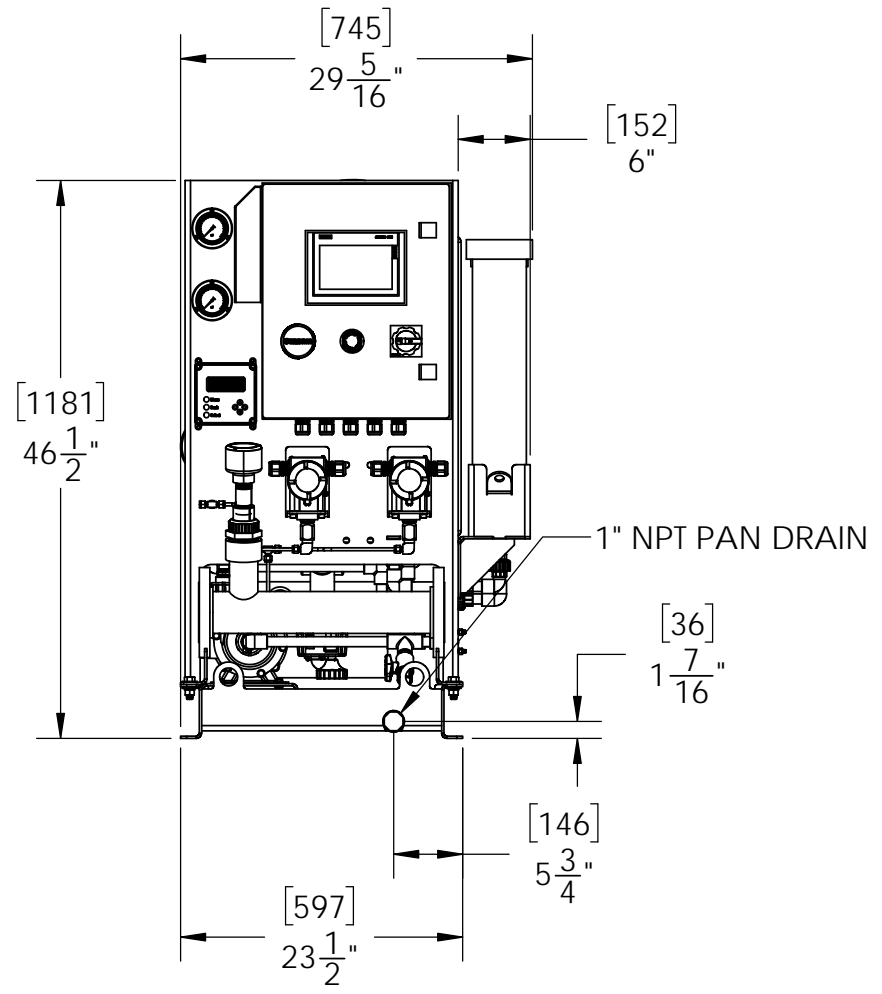
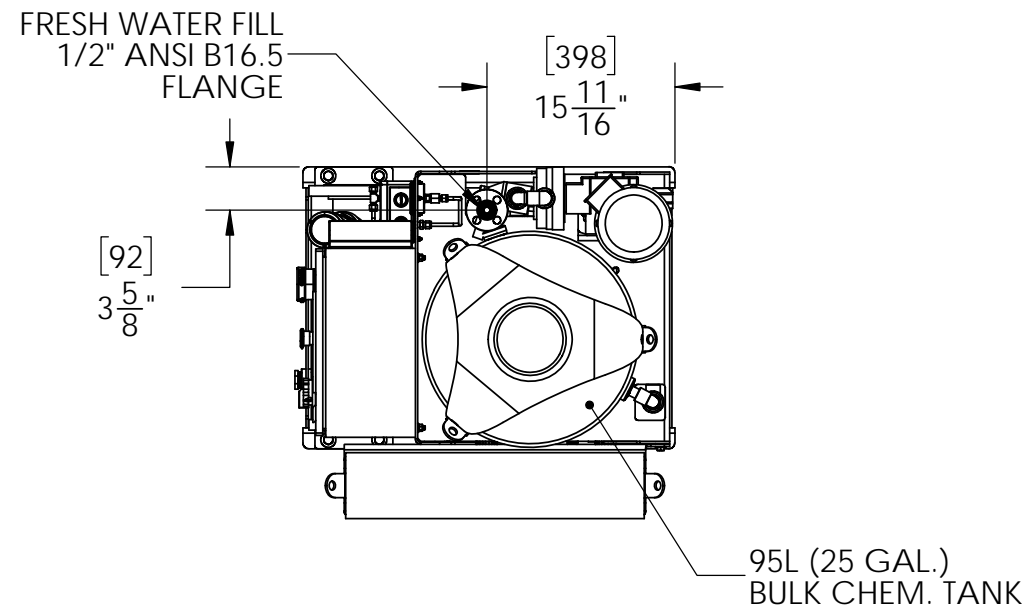



| REVISIONS | | | |
|-----------|------------------------|------------|-------|
| REV. | DESCRIPTION | DATE | INIT. |
| A | INITIAL RELEASE | 10/8/22 | MTW |
| B | MODIFIED DC TANK SHELF | 10/17/2022 | MTW |



| | | | | |
|---|--------------|---|--|--------------------------------|
| PROJECT: 22015 | |  SCINCO/FAST 200 SUN VALLEY CIRCLE FENTON, MO 63026 | TITLE: INTANK SUPERFIT GENERAL ARRANGEMENT | |
| DRAWN: MTW | INIT. MTW | | DATE 10/8/22 | SIZE: B |
| APPROVED: KDH | INIT. KDH | | DATE 10/8/22 | DWG. NO. GA22015-000 |
| THIS DRAWING AND ALL DATA CONTAINED HEREIN ARE THE EXCLUSIVE PROPERTY OF SCINCO/FAST OF ST. LOUIS, MO AND MAY NOT BE DISCLOSED TO OTHERS WITHOUT WRITTEN CONSENT. | | | REV B | Sheet 1 Of 1 |
| SCALE: 1:16 | | DO NOT SCALE DRAWING | | |